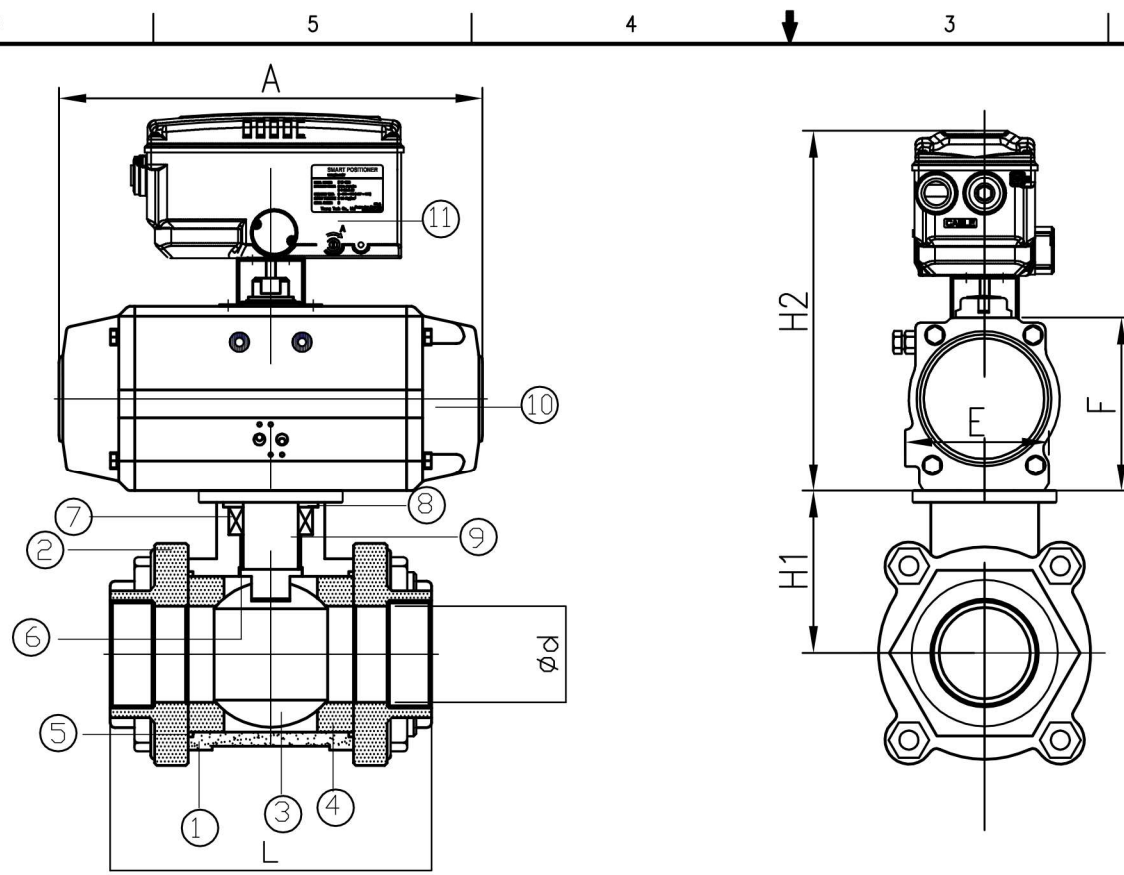
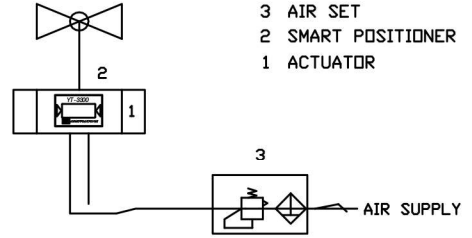


REV. NO	DATE	REVISION RECORD	DRA.	CHK.	APR.
△					
△					



INSTALLATION SCHEMATIC



- ACCESSORIES
 3 AIR SET
 2 SMART POSITIONER
 1 ACTUATOR

NO.	DESCRIPTION	MATERIAL	QTY	REMARKS
11	POSITIONER	-	1	
10	ACTUATOR	-	1	SINGLE ACTING
9	STEM	STS304	1	
8	GLAND	STS304	1	
7	SPRING	STS304	1	
6	BACK SEAT RING	TEFLON	1	
5	GASKET	TEFLON	-	
4	SEAT	P.T.F.E.	2	
3	BALL	SCS13/14	1	
2	CAP	SCS13/14	1	
1	BODY	SCS13/14	1	

(UNIT : mm)

SIZE	DIMENSION							MODEL
	d	L	H1	H2	A	E	F	
15A	15	68	37	235	163	83	85	AT-063
20A	20	71	37	235	163	83	85	AT-063
25A	25	76	45	235	163	83	85	AT-063
32A	32	84	54	252	214	94	102	AT-075
40A	40	98	59	252	214	94	102	AT-075
50A	50	111	75	265	252	105	115	AT-088
65A	65	140	84	277	270	120	127	AT-100

FOR APPROVAL

* ACTUATOR SPECIFICATION	
OPERATING MEDIUM	COMPRESSED DRY AIR
STANDARD OPERATING PRESSURE	5Kg/CM2
OPERATING PRESSURE RANGE	4 ~ 7 Kg/CM2
OPERATING ANGLE	90° (0° ~ +95°)
OPERATING TIME (CLOSE → OPEN)	MAXIMUM 30 SECOND (SPEED CONTROL)
SERVICE TEMPERATURE	20°C ~ +80°C

PROJECT NAME			
-			
MEGATEC			
SCALE	PNEUMATIC CONTROL BALL V/V		
N.S.	(JIS 10Kg RF FLANGED/R.T.F.E. SEAT)		
DRAWN BY	DATE	DRAWING NO.	REV. NO
T.K.KIM	2017. 02. 16.	PN17-0216-01	1 A
APPROVED BY			
T.K.KIM			